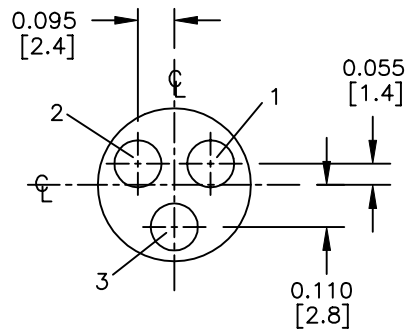


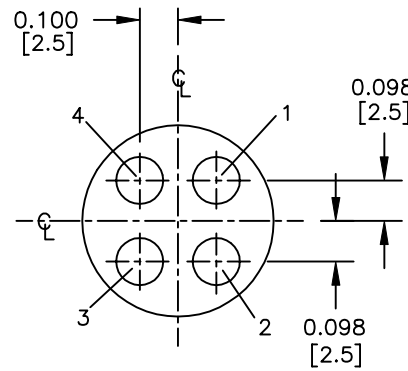
2-#12

PC TAIL DIA. 0.057 ±0.001 REF.



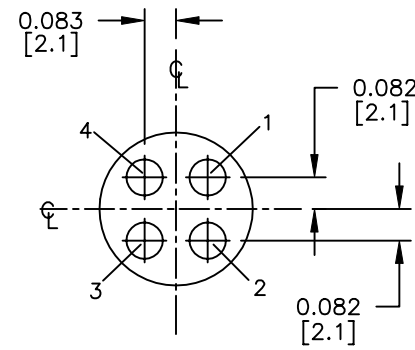
3-#12

PC TAIL DIA. 0.057 ±0.001 REF.



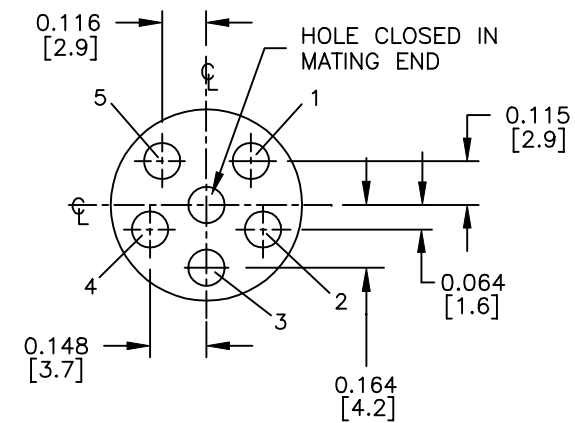
4-#12

PC TAIL DIA. 0.057 ±0.001 REF.



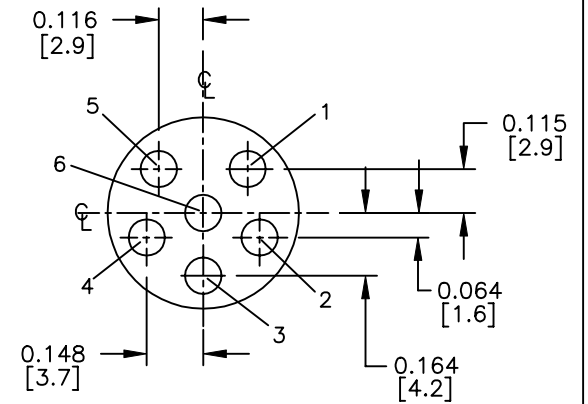
4-#16

PC TAIL DIA. 0.048 ±0.001 REF.



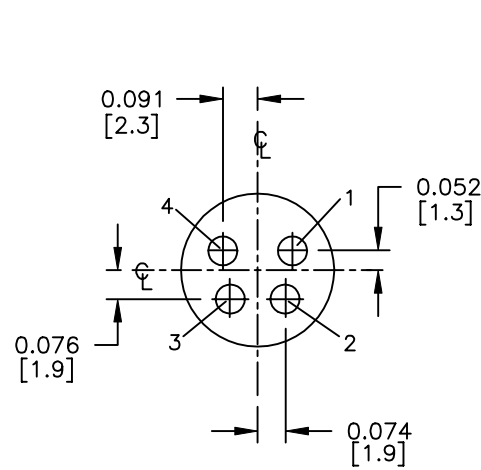
5-#16

PC TAIL DIA. 0.048 ±0.001 REF.



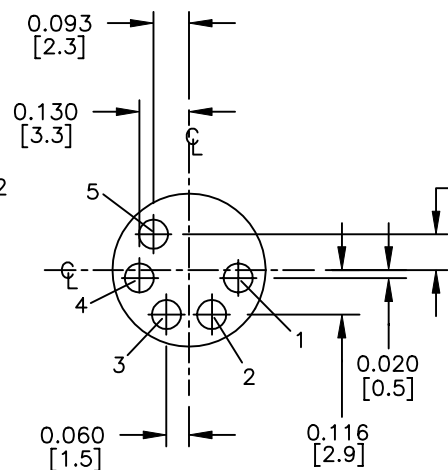
6-#16

PC TAIL DIA. 0.048 ±0.001 REF.



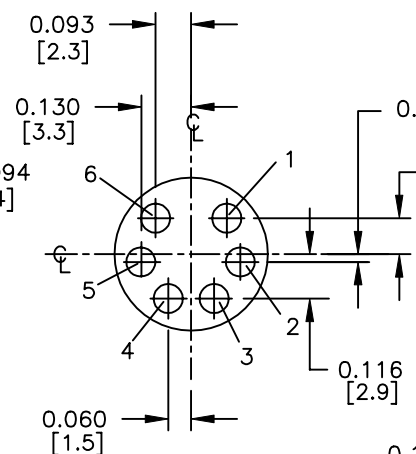
4-#20

PC TAIL DIA. 0.0395 ±0.001 REF.



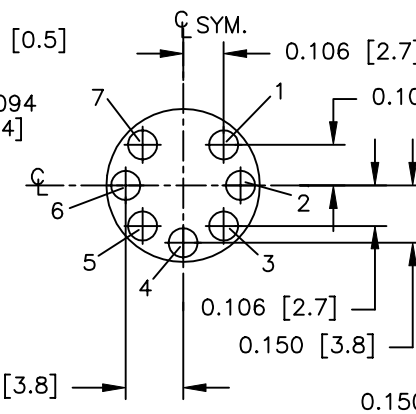
5-#20

PC TAIL DIA. 0.0395 ±0.001 REF.



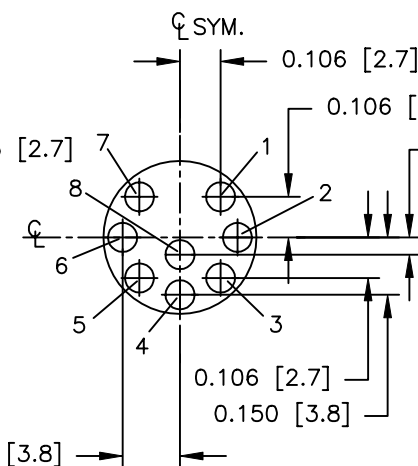
6-#20

PC TAIL DIA. 0.0395 ± 0.001 REF.



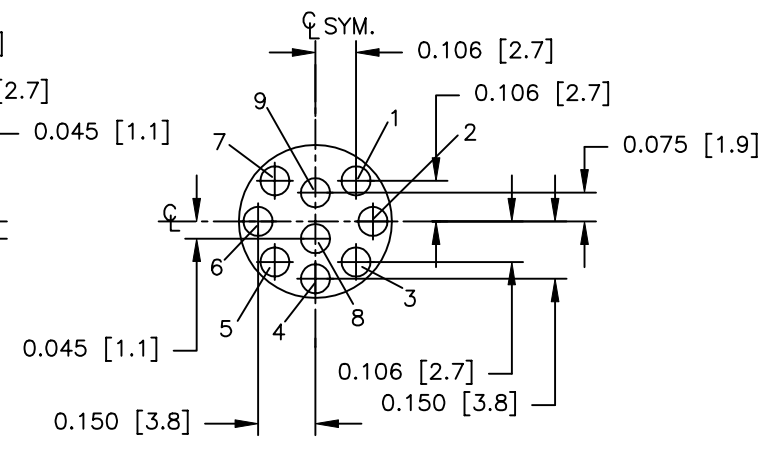
7-#20

PC TAIL DIA. 0.0395 ±0.001 REF.



8-#20

PC TAIL DIA. 0.0395 ±0.001 REF.



9-#20

PC TAIL DIA. 0.0395 ±0.001 REF.

WIRE VIEWS

CUSTOMER APPROVAL

CHECKED BY: _____
 APPROVED BY: _____
 DATE: _____

D	AN	03-14-06	ADDED CUSTOMER PRINT PER DOR 04-E149JC AND ECR 6107
REV.	INIT.	DATE	DESCRIPTION
<small>ALL INFORMATION ILLUSTRATED IS THE PROPERTY OF CONKALL CORPORATION. UNAUTHORIZED DUPLICATION OR DISTRIBUTION OF THIS DOCUMENT IS PROHIBITED.</small>			ORIG. DRAWN BY: AL DATE: 04-27-99 CHECKED BY: _____ APPROVED BY: _____
<small>ALL UNITS ARE IN FEET, INCHES, FRACTION OF INCHES AND DECIMALS. UNLESS OTHERWISE SPECIFIED TOLERANCES: 3 PLACE DECIMALS ±.005 ANGLES ±1° FRACTIONS ±1/16 ▽ = CRITICAL CHARACTERISTIC FLAG PER SPEC. XXXX</small>			601 E. WILDWOOD VILLA PARK, IL 60181 TITLE: HOLE PATTERNS MULTI-CON-X CUSTOMER: _____ PART NUMBER: HPMUSTD REV. D
SCALE	SIZE	SHEET	
2:1	B	1 OF 1	
FILE:	DIRECTORY:		
HPMUSTDSH1	DETAILS		