

PART NUMBER:

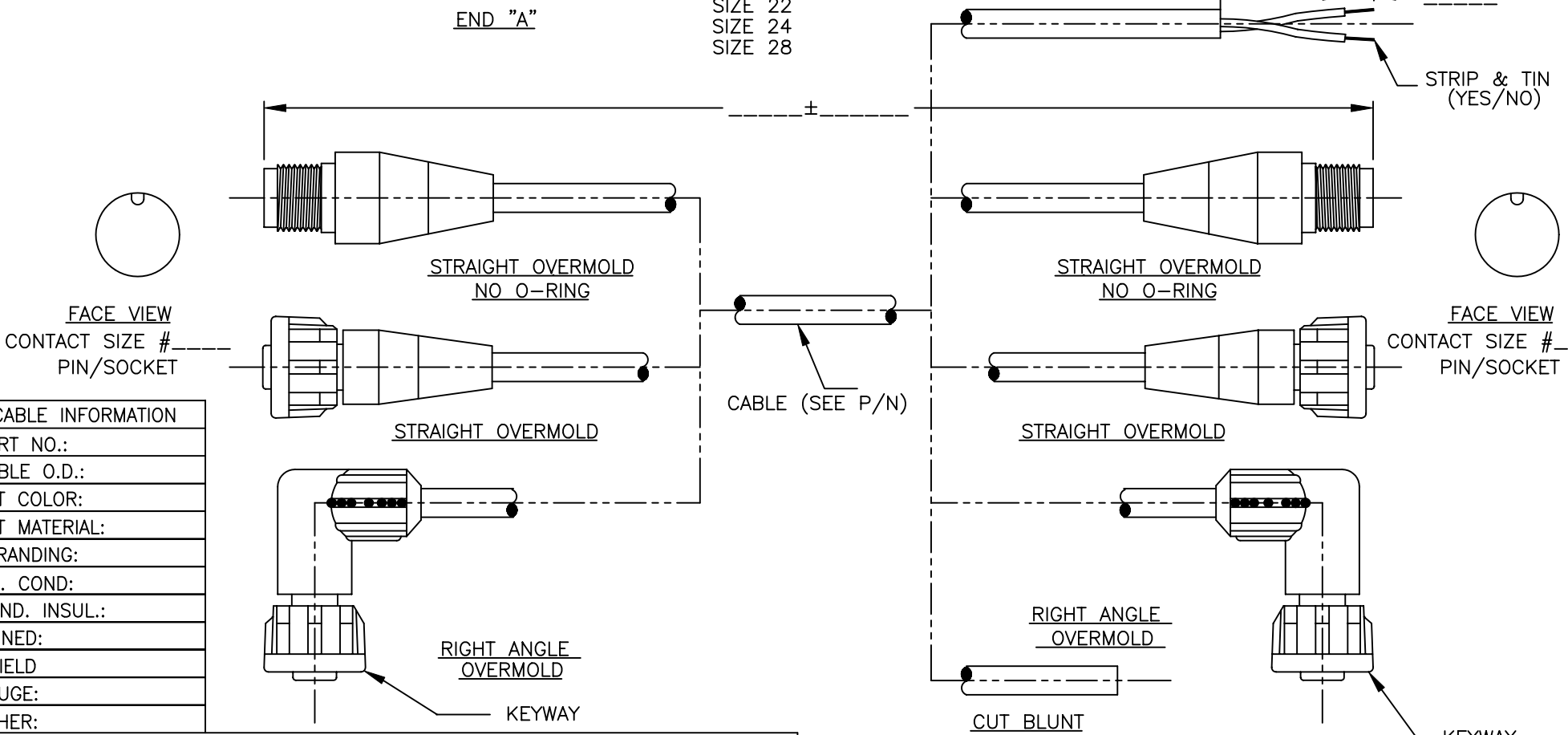
MIL-E-QUAL

QUOTATION/SAMPLE DRAWING

NOTES & SPECIFICATIONS:

- 1. CABLE TO BE COILED/BUNDLED.
- 2. CUSTOMER PART NO.: _____ REV. _____

- SIZE 10
- SIZE 12
- SIZE 14
- SIZE 16
- SIZE 18
- SIZE 20
- SIZE 22
- SIZE 24
- SIZE 28



CABLE INFORMATION	
PART NO.:	
CABLE O.D.:	
JKT COLOR:	
JKT MATERIAL:	
STRANDING:	
NO. COND:	
COND. INSUL.:	
TINNED:	
SHIELD	
GAUGE:	
OTHER:	

WIRE COLOR CODE - END "A"

PIN #A	PIN #B	PIN #C	PIN #D	PIN #E	PIN #F	PIN #G	PIN #H	PIN #I	PIN #J
PIN #K	PIN #L	PIN #M	PIN #N	PIN #O	PIN #P	PIN #Q	PIN #R	PIN #S	PIN #T
PIN #U	PIN #V	PIN #W	PIN #X	PIN #Y					

WIRE COLOR CODE - END "B"

PIN #A	PIN #B	PIN #C	PIN #D	PIN #E	PIN #F	PIN #G	PIN #H	PIN #I	PIN #J
PIN #K	PIN #L	PIN #M	PIN #N	PIN #O	PIN #P	PIN #Q	PIN #R	PIN #S	PIN #T
PIN #U	PIN #V	PIN #W	PIN #X	PIN #Y					

DO NOT SCALE PRINT NOTICE - All information illustrated or revealed on this document is proprietary, and is the exclusive property of the CONXALL CORPORATION. Unauthorized duplication or distribution of the information contained in this document is prohibited.	REV.	DATE	DESCRIPTION	INIT.
	DRAWN BY: G.A.		DATE: 8/11/94	 601 E. WILDWOOD VILLA PARK, IL 60181
	CHECKED BY:		APPROVED BY:	
	UNLESS OTHERWISE SPECIFIED ALL UNITS ARE IN FEET, INCHES, AND FRACTIONS OF INCHES.		SCALE: NTS	SIZE: A
FILE: QUOTE16		DISK:		CUSTOMER:
		PART NUMBER:		REV. B

ENG. FORM FILE: QUOTE16; REV.B PER ECR 1272.