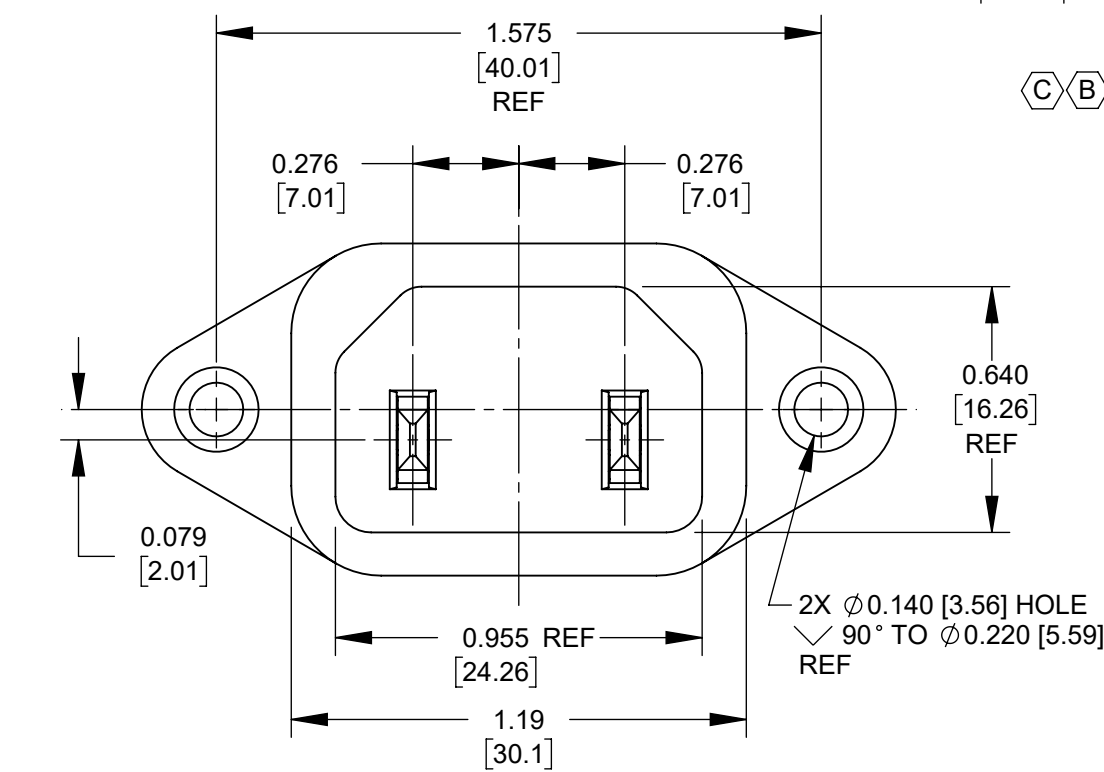
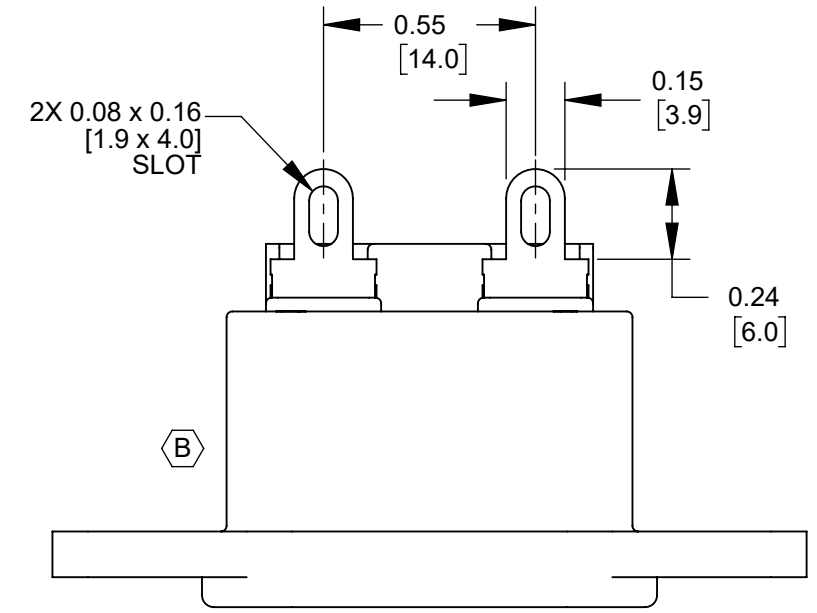
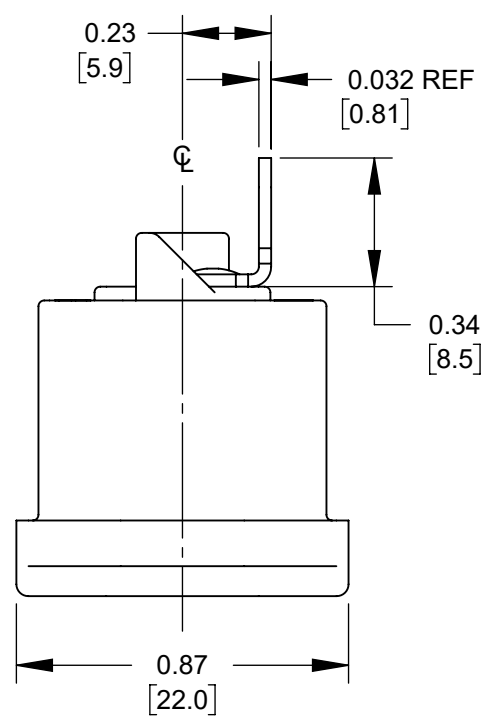
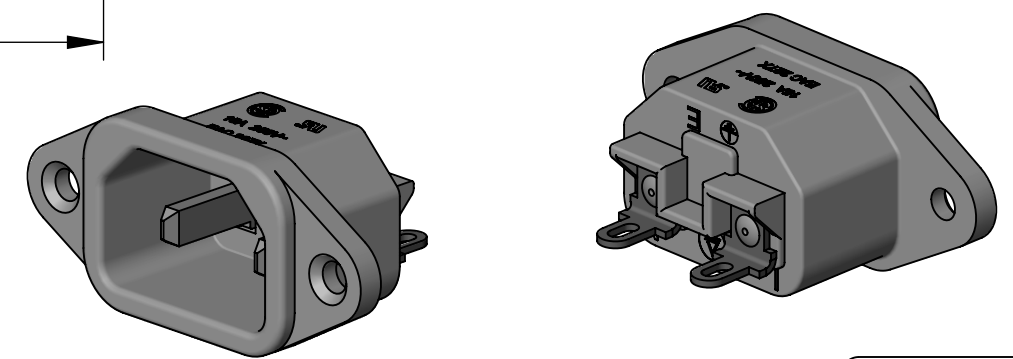


SECTION A-A



NOTES:

- 1. AGENCY IDENTIFICATION & RATING :  
UL & CSA: 15A 250V~
- 2. MEETS IEC 60320 SPECIFICATION
- 3. MATERIALS:  
HOUSING: BLACK POLYESTER  
TERMINALS: TIN PLATED COPPER ALLOY  
CONTACT PINS: TIN PLATED COPPER ALLOY
- 4. THIS PRODUCT IS RoHS COMPLIANT.



CUSTOMER DRAWING

REV	ECO NUMBER	DATE	BY	APVD
C	28549	01/16/23	PC	TJK
B	28175	6/4/19	TJK	TJK
A	26895	12/16/11	BL	TJK

UNLESS OTHERWISE SPECIFIED

1. ALL DIMENSIONS IN INCHES [mm]

- TWO PLACE DECIMALS ±0.02 [0.5]

- THREE PLACE DECIMALS ±0.005 [0.13]

DO NOT SCALE DRAWING

THIS DRAWING DESCRIBES A DESIGN CONSIDERED PROPRIETARY IN NATURE, DEVELOPED AND MANUFACTURED BY SWITCHCRAFT INC. AND IS RELEASED ON A CONFIDENTIAL BASIS FOR IDENTIFICATION PURPOSES ONLY.									
SIZE	WIDTH	MULT	LBS/M	TEMPER					
FINISH					MATERIAL				
SPEC No.					SPEC No.				
FIRST USED ON				SCALE 2:1					
DATE DRAWN	BY	CHKD	APVD	Switchcraft®					
11/17/11	BL	BL	TJK	SHEET 1 OF 1					
NAME MALE AC RECEPTACLE SOLDER TERMINALS, RoHS				PART No. EAC227X		REV C			