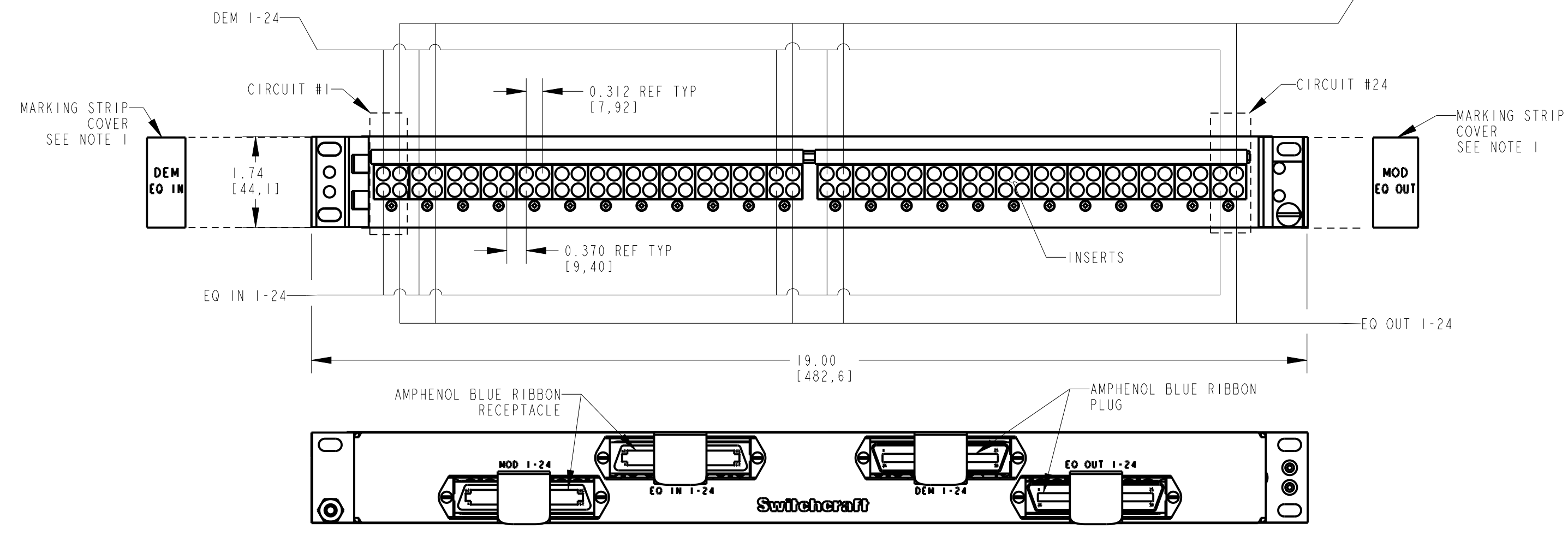
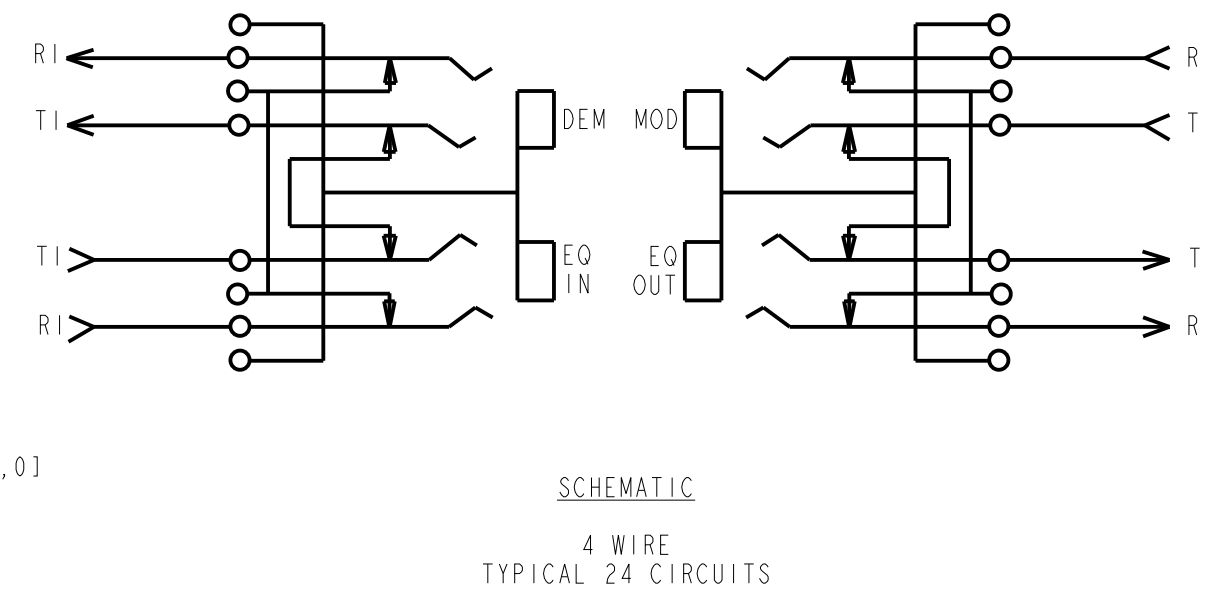
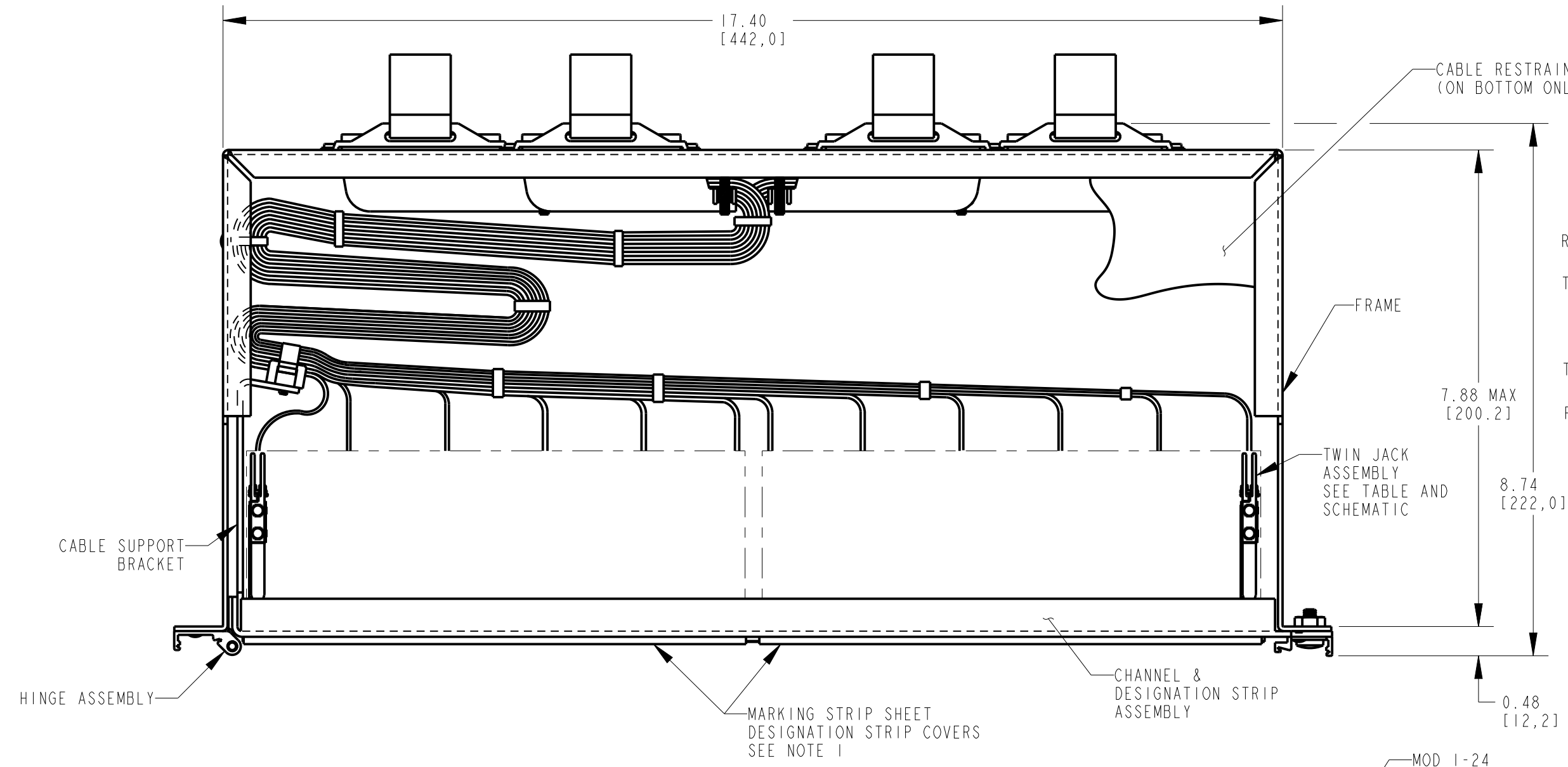
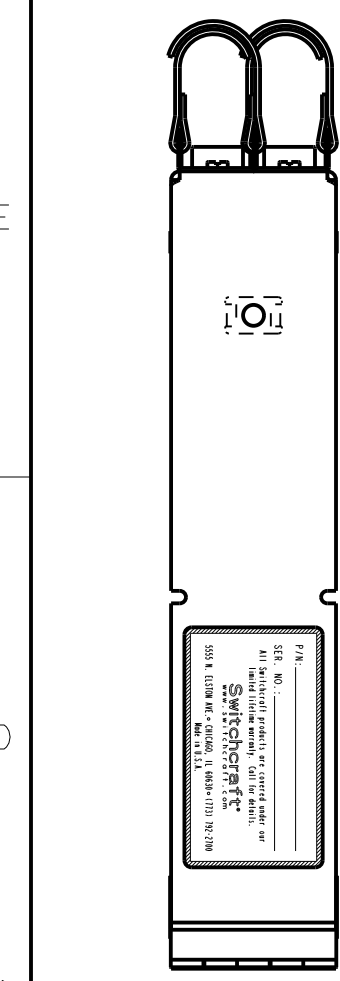


CONNECTION TABLE							
TO PLUG CONNECTOR		PIN		TO RECEPTACLE CONNECTOR		PIN	
CIRCUIT 1	DEM	TI	26	CIRCUIT 1	MOD	T	26
		RI	1			R	1
REPEATED				REPEATED			
CIRCUIT 24	DEM	TI	49	CIRCUIT 24	MOD	T	49
		RI	24			R	24
CIRCUIT 1	EQ OUT	T	26	CIRCUIT 1	EQ IN	TI	26
		R	1			RI	1
REPEATED				REPEATED			
CIRCUIT 24	EQ OUT	T	49	CIRCUIT 24	EQ IN	TI	49
		R	24			RI	24



CUSTOMER DRAWING

NOTES:  
1. MARKING STRIPS AND COVERS SHIPPED UNASSEMBLED.

<p>★ STAR SYMBOL DENOTES CRITICAL DIMENSION</p> <p>UNLESS OTHERWISE SPECIFIED</p> <p>1. ALL DIMENSIONS IN INCHES - TWO PLACE DECIMALS ±0.01 - THREE PLACE DECIMALS ±0.005 - ANGLES ±1° - ALL DIA. CONCENTRIC WITHIN 0.005 T.I.R.</p> <p>2. FEATURES ON THE SAME CENTERLINE MUST BE ALIGNED WITHIN ±0.002</p> <p>3. REMOVE ALL BURRS</p> <p>DO NOT SCALE DRAWING</p>				<p>THIS DRAWING DESCRIBES A DESIGN CONSIDERED PROPRIETARY IN NATURE, DEVELOPED AND MANUFACTURED BY SWITCHCRAFT INC. AND IS RELEASED ON A CONFIDENTIAL BASIS FOR IDENTIFICATION PURPOSES ONLY.</p> <p>SIZE WIDTH MULT LBS/M TEMPER</p> <p>FINISH SPEC No. MATERIAL SPEC No.</p> <p>FIRST USED ON SCALE 1:2</p> <p>DATE DRAWN BY CHKD APVD</p> <p>26-Jul-01 JL JF 7-26-01 JF 7-26-01</p> <p>NAME 4 WIRE CONNECTORIZED JACKFIELD PART No. TT4W24VCF1 REV F</p>				
REV	ECO NUMBER	DATE	BY	APVD				
F	28576	02-21-23	PC	TJK				
E	27999	02-08-18	PC	TJK				
D	23554	11-19-12	TO	TJK				
REVISIONS								