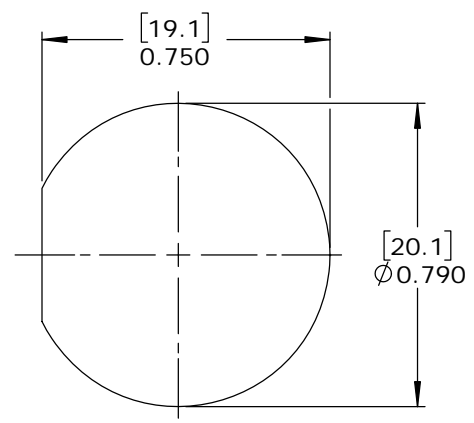
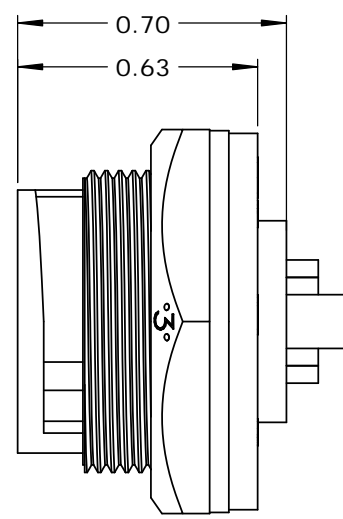
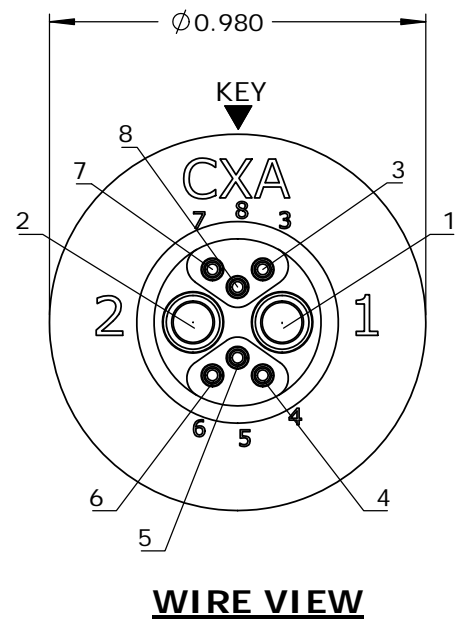
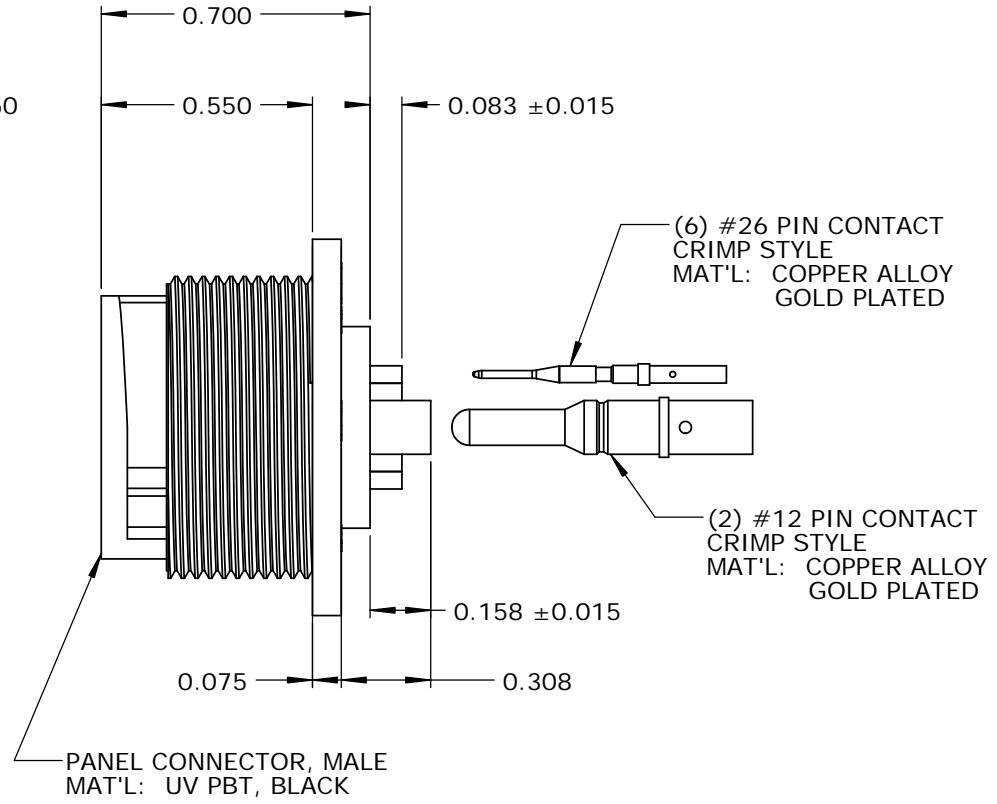
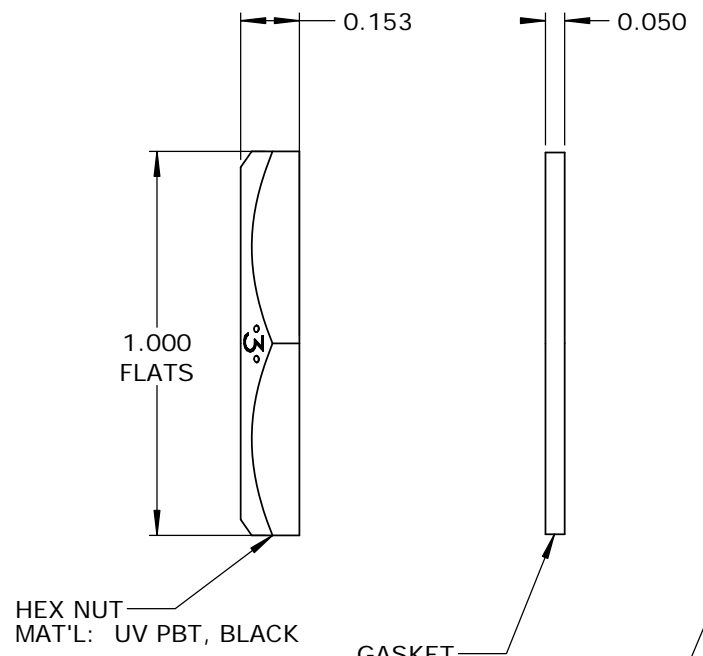
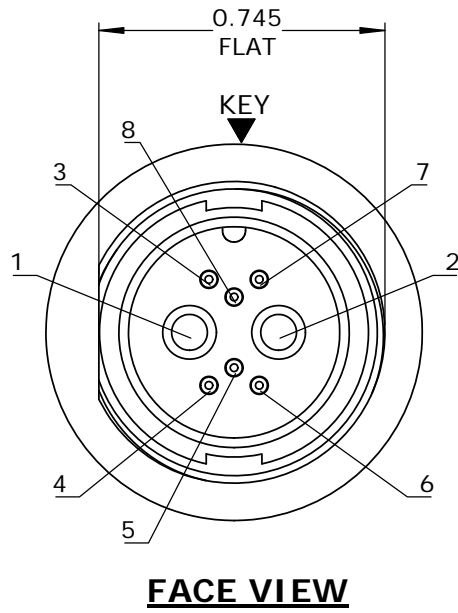
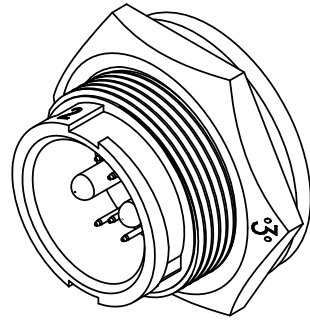


- NOTES:  
 1. PARTS TO BE BULK PACKED.  
 2. CONTACTS ARE SUPPLIED LOOSE.  
 3. ALL DIMENSIONS ARE FOR REFERENCE ONLY EXCEPT WHERE NOTED WITH TOLERANCE.



RECOMMENDED PANEL CUT-OUT  
TOLERANCE ±.003 [0.08]

**CUSTOMER APPROVAL**

THIS DOCUMENT CONTAINS CONFIDENTIAL INFORMATION PROPRIETARY TO CONXALL CORPORATION. ANY REPRODUCTION, DISCLOSURE, OR USE OF THIS DOCUMENT /INFORMATION IS EXPRESSLY PROHIBITED UNLESS AUTHORIZED IN WRITING BY CONXALL CORPORATION.

APPROVED BY: \_\_\_\_\_  
 DATE: \_\_\_\_\_

**RoHS COMPLIANT**

A	AB	05-09-19	RELEASE PER DOR 14-6281TC
REV.	INIT.	DATE	DESCRIPTION
	AB	07-17-14	
<small>ALL INFORMATION ILLUSTRATED IS THE PROPERTY OF CONXALL CORPORATION. UNAUTHORIZED DUPLICATION OR DISTRIBUTION OF THIS DOCUMENT IS PROHIBITED.</small>			<p>601 E. WILDWOOD VILLA PARK, IL 60181</p>
<small>ALL UNITS ARE IN FEET, INCHES, FRACTION OF INCHES AND DECIMALS.</small>			
<small>ORIG. DRAWN BY: AB</small> <small>DATE: 07-17-14</small>		<small>CHECKED BY:</small>	
<small>APPROVED BY:</small>		<small>TITLE: PANEL CONNECTOR KIT</small> <small>(2) #12 + (6) #26 PIN CONTACTS, CRIMP MULTI-CON-X, WEATHER RESISTANT STANDARD PRODUCT</small>	
<small>SCALE: NTS</small>	<small>SIZE: B</small>	<small>SHEET: 1 OF 1</small>	<small>CUSTOMER: STANDARD PRODUCT</small>
<small>FILE: SAME AS P/N</small>	<small>DIRECTORY: SLW</small>	<small>PART NUMBER: W4B80-8PG-300</small>	<small>REV: A</small>

CUSTOMER PRINT

PART NUMBER: W4B80-8PG-300