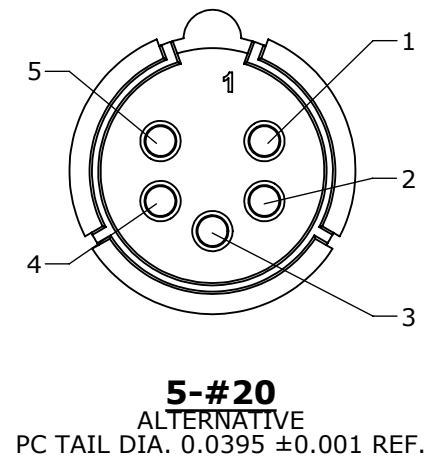
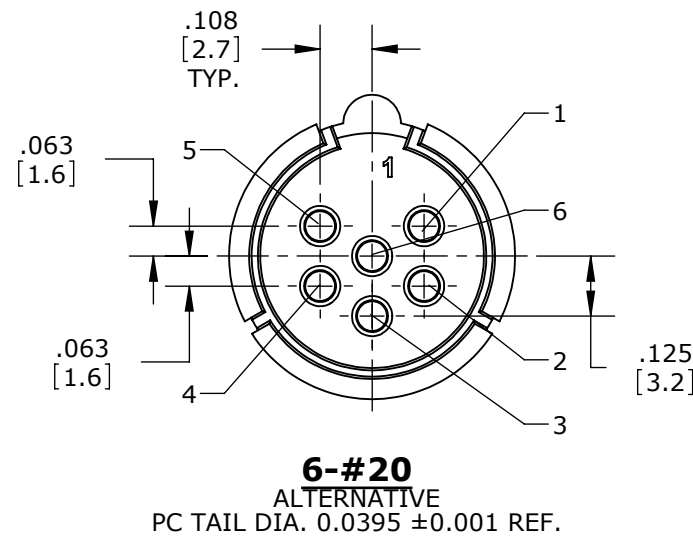
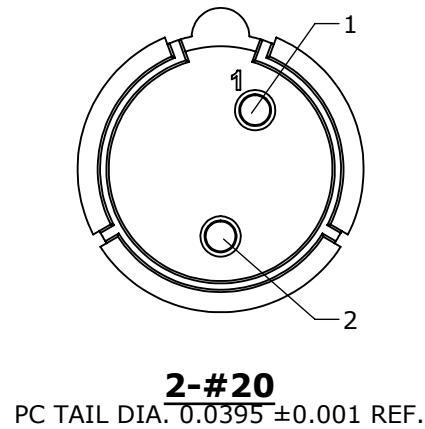
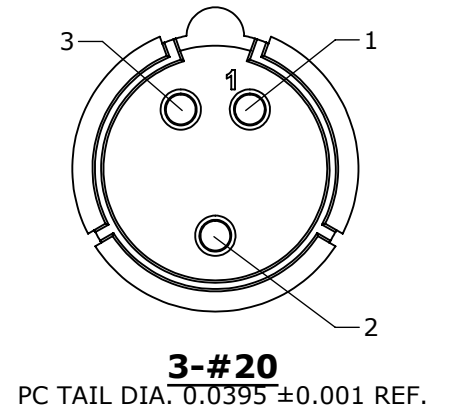
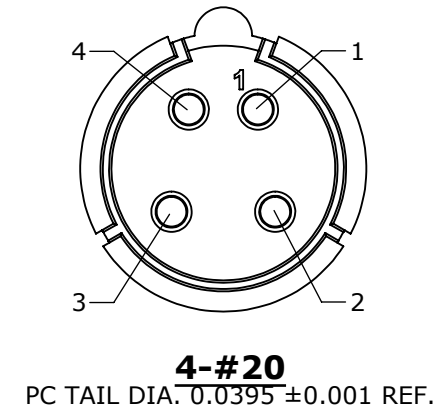
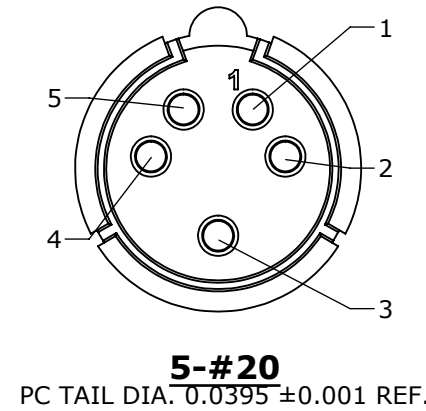
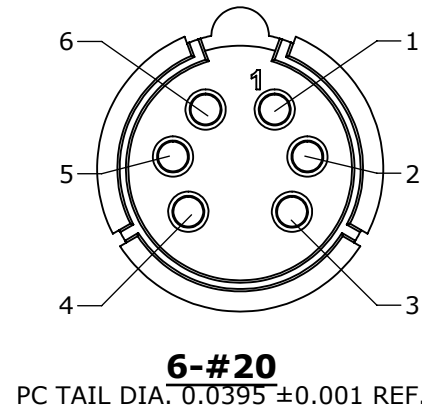
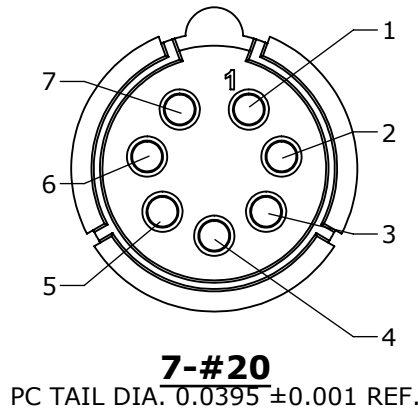
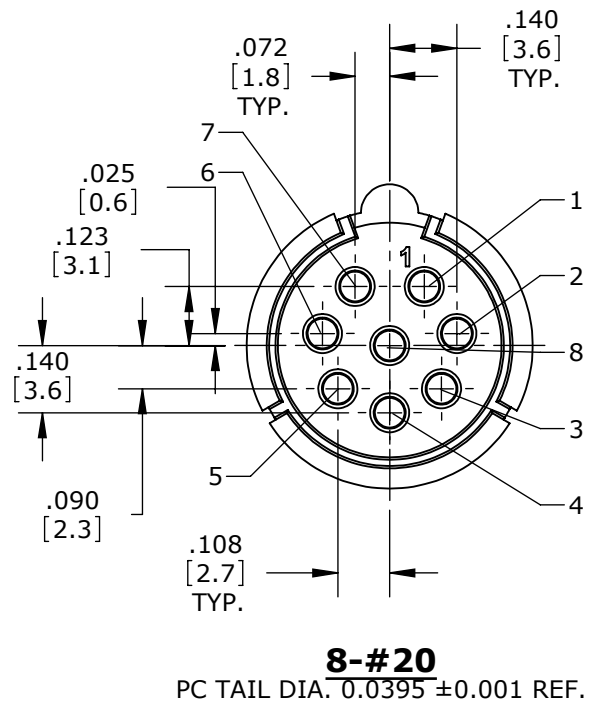
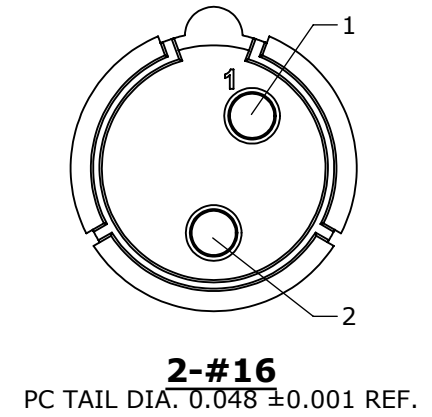
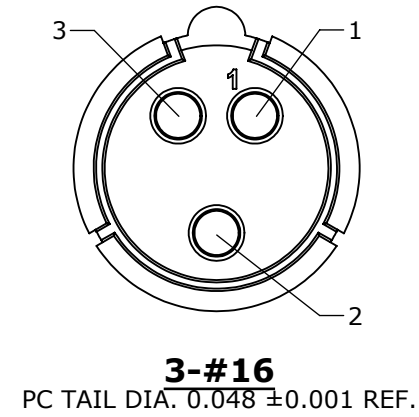
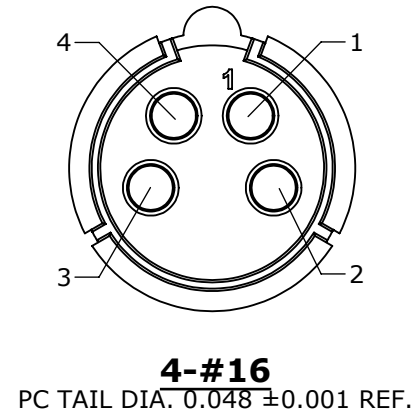
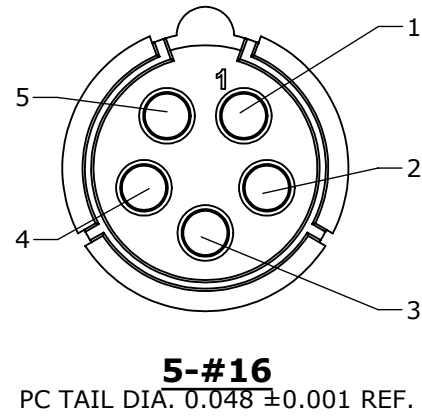
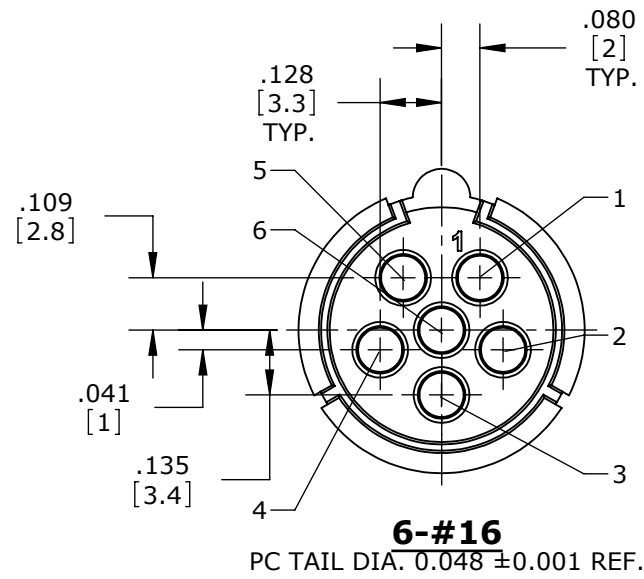



CUSTOMER PRINT

PART NUMBER: HPSFMISTD



DIMENSIONS IS BRACKETS [] ARE METRIC

A	BZ	10-06-09	DRAWING CREATED PER DOR 09-1718KL	
REV.	INIT.	DATE	DESCRIPTION	
	BZ	10-06-09	ORIG. DRAWN BY:	DATE:
ALL INFORMATION ILLUSTRATED IS THE PROPERTY OF CONXALL CORPORATION. UNAUTHORIZED DUPLICATION OR DISTRIBUTION OF THIS DOCUMENT IS PROHIBITED.			10-06-09	
ALL UNITS ARE IN FEET, INCHES, FRACTION OF INCHES AND DECIMALS.			CHECKED BY:	 601 E. WILDWOOD VILLA PARK, IL 60181
- CRITICAL CHARACTERISTIC FLAG PER SPEC. XXXX			APPROVED BY:	
SCALE	SIZE	SHEET	HOLE PATTERNS SHIELDED MINI-CON-X	
NTS	B	1 OF 1	CUSTOMER:	STANDARD PRODUCT
FILE:	DIRECTORY:	PART NUMBER:	HPSFMISTD	HPSFMISTD
	SLW	REV		A